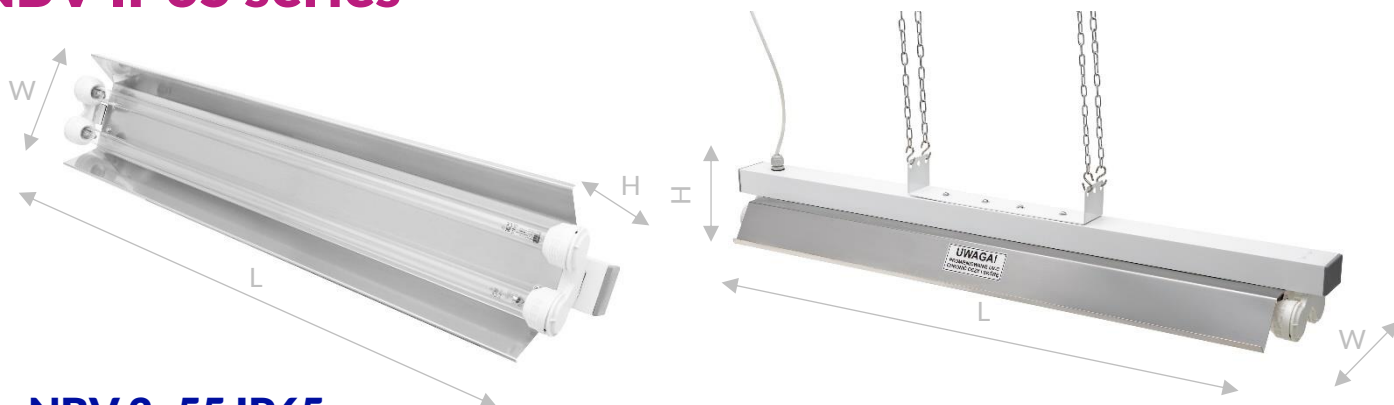


TECHNICAL DATA SHEET

NBV IP65 series

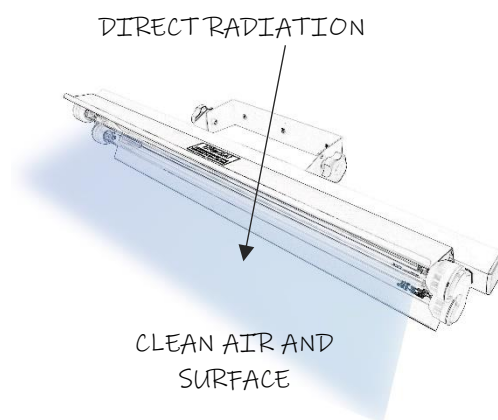


NBV 2x55 IP65

DIRECT RADIATION UV-C GERMICIDAL LAMP FOR INDUSTRIAL USE

HOW DOES THE DIRECT RADIATION UV-C GERMICIDAL LAMP FOR INDUSTRIAL USE WORK?

Direct radiation germicidal lamps type NBV IP65 are designed to prevent primary and secondary infections in the food, pharmaceutical and cosmetic industries, warehouses, and everywhere the production process takes place. Direct radiation germicidal lamps applied in the rooms where airborne pathogenic microorganisms (pathogens) live, significantly reduce the probability of spreading the infection by air. Raising the level of microbiological purity of the air and surface helps to destroy and reduce the impact of existing outbreaks of pathogens.



BASIC DATA:

Airflow disinfection function (flow disinfection chamber)	no
Direct radiation function	yes
Presence of people, animals, plants inside the room during the disinfection process	not allowed
Mounting type	wall-mounted/ ceiling mounted (both types of hangers in standard)
Working time counter	no
External bulbs	yes, 2 bulbs (covered with anti-splashing foil)
Casing material	powder lacquered aluminum
Reflector material	steel
Switch on/off	no
Ambient temperature	+10°C to +40°C
Relative humidity	30% to 70%
Atmospheric pressure	700 hPa to 1060 hPa
Declaration of conformity	yes
User's manual English version	yes

TECHNICAL DATA SHEET

NBV IP65 series

NBV 2x55 IP65

DIRECT RADIATION UV-C GERMICIDAL LAMP FOR INDUSTRIAL USE

TECHNICAL DATA:

Supply voltage	230 V, 50 Hz
Power consumption	115 W
UV-C bulbs (Philips/Osram)	2 x 55 W (TUV/HNS)
UV-C radiation wavelength	253.7 nm
The useful lifetime of the UV-C bulbs	min. 9000 h
The radiation intensity of the external UV-C tube at a distance of 1m	3.6 W/m ²
The effective area of the lamp	25-30 m ²
Exposure angle adjustment range (wall-mounted type)	150°
Class of protection against electric shock	I
Ingress Protection Code	IP 65
Lamp body dimensions (L x W x H)	980 x 210 x 160 mm
Overall dimensions (wall-mounted type L x W x H)	980 x 210 x 210 mm
Lamp body mass	3.5 kg
Total lamp mass	4.3 kg universal version (3.7 kg ceiling-mounted version, 4.1 kg wall-mounted version)
Wall holder length/ ceiling chains' length	31 cm / 100 cm
Power cord length	0.8 m

APPLICATION RECOMMENDATIONS:

- Pharmaceutical industry
- Food industry
- Cosmetic industry
- Warehouses
- Industrial kitchens



Anti-splashing foil protection



Ultra-Viol's realisation