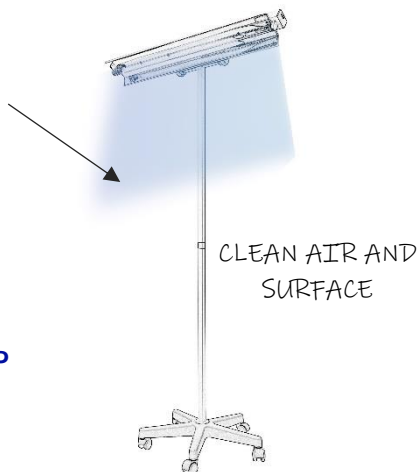


TECHNICAL DATA SHEET

NBV series

DIRECT RADIATION



NBV 30 P

DIRECT RADIATION UV-C GERMICIDAL LAMP

HOW DOES THE DIRECT RADIATION UV-C GERMICIDAL LAMP WORK?

Direct radiation germicidal lamps type NBV are designed to prevent primary and secondary infections of patients and medical personnel caused by airborne pathogenic microorganisms (pathogens). Using direct germicidal radiation in the rooms where infected patients or patients with immune deficiencies are staying, significantly reduces the probability of infection spread by air. Raising the level of microbiological purity of the air and the rooms helps to destroy and reduce impact of existing outbreaks of pathogens.

BASIC DATA:

Air flow disinfection function (flow disinfection chamber)	no
Direct radiation function	yes
Presence of people, animals, plants inside the room during disinfection process	not allowed
Mounting type	on mobile stand
Working time counter	no
External bulbs	yes, 1 bulb
Casing material	powder laquered aluminium
Reflector material	high quality reflective aluminium
Switch on/off	built in lamp body
Ambient temperature	+10°C to +40°C
Relative humidity	30% to 70%
Atmospheric pressure	700 hPa to 1060 hPa
Declaration of conformity	yes
User's manual English version	yes

TECHNICAL DATA SHEET

NBV series

NBV 30 P

DIRECT RADIATION UV-C GERMICIDAL LAMP

TECHNICAL DATA:

Supply voltage	230 V, 50 Hz
Power consumption	33 W
UV-C bulbs (Philips/Osram)	1 x 30 W (TUV/HNS)
UV-C radiation wave-length	253.7 nm
Useful lifetime of the UV-C bulbs	min. 8000 h
Radiation intensity of the external UV-C tube at the distance of 1 m	2.3 W/m ²
Effective area of the lamp	12-15m ²
Exposure angle adjustment range	240°
Class of protection against electric shock	I
Ingress Protection Code	IP 20
Operation mode	continuous
Lamp body dimensions – without stand (L x W x H)	960 x 85 x 135 mm
Total lamp mass	8.5 kg
Height of the stand	180.0 cm
Power cord length	3.0 m, ended with the socket plug

APPLICATION RECOMMENDATIONS:

Hospitals

- operation theatres
- intensive care units
- emergency rooms
- examination and treatment rooms
- reception units
- patient rooms, isolation rooms
- soiled/dirty utility rooms

- Outpatient clinics
- Medical laboratories
- Chemist's
- Beauty salons
- Pharmaceutical industry
- Food industry
- Cosmetic industry

Ultra-Viol's realisation

